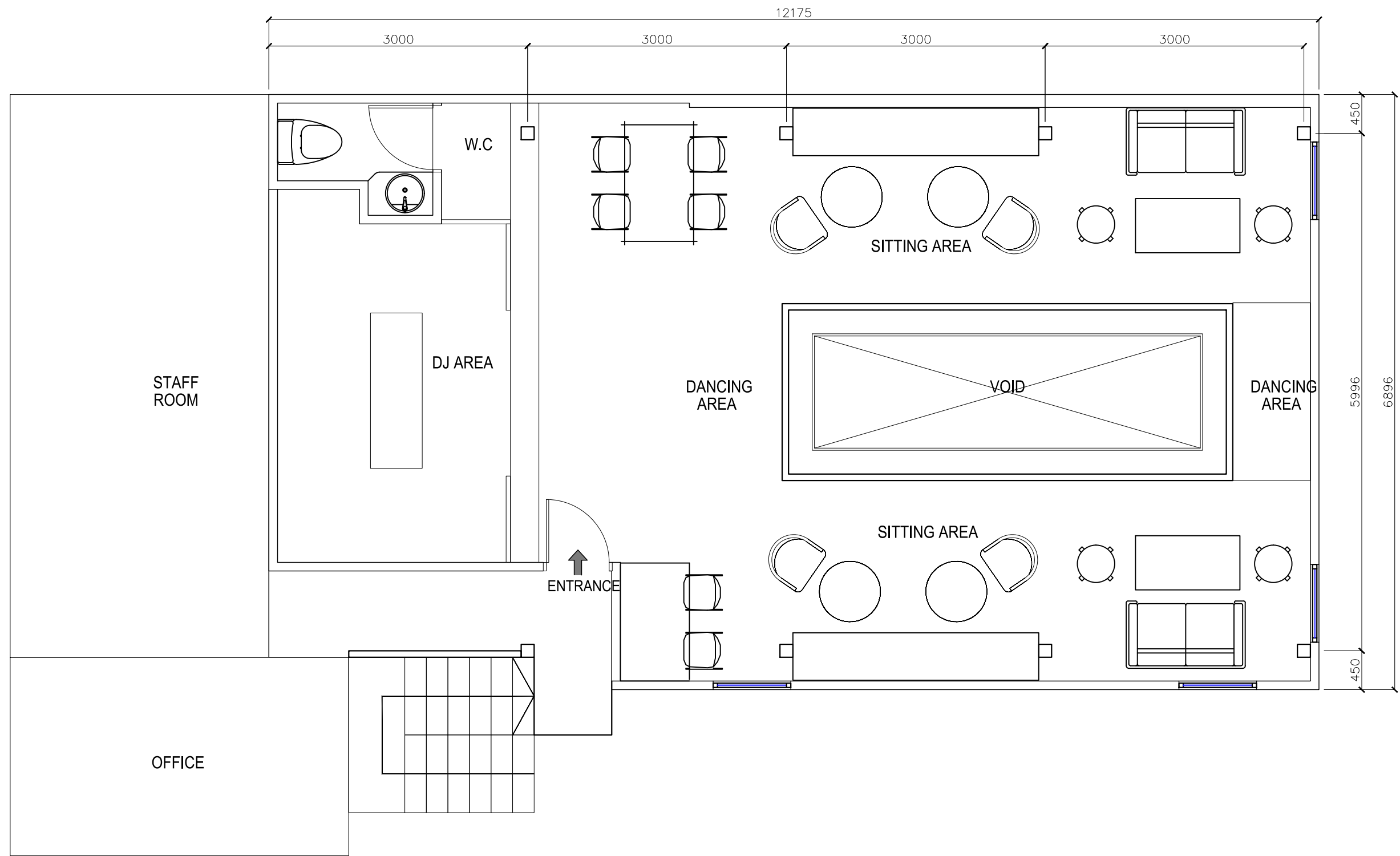
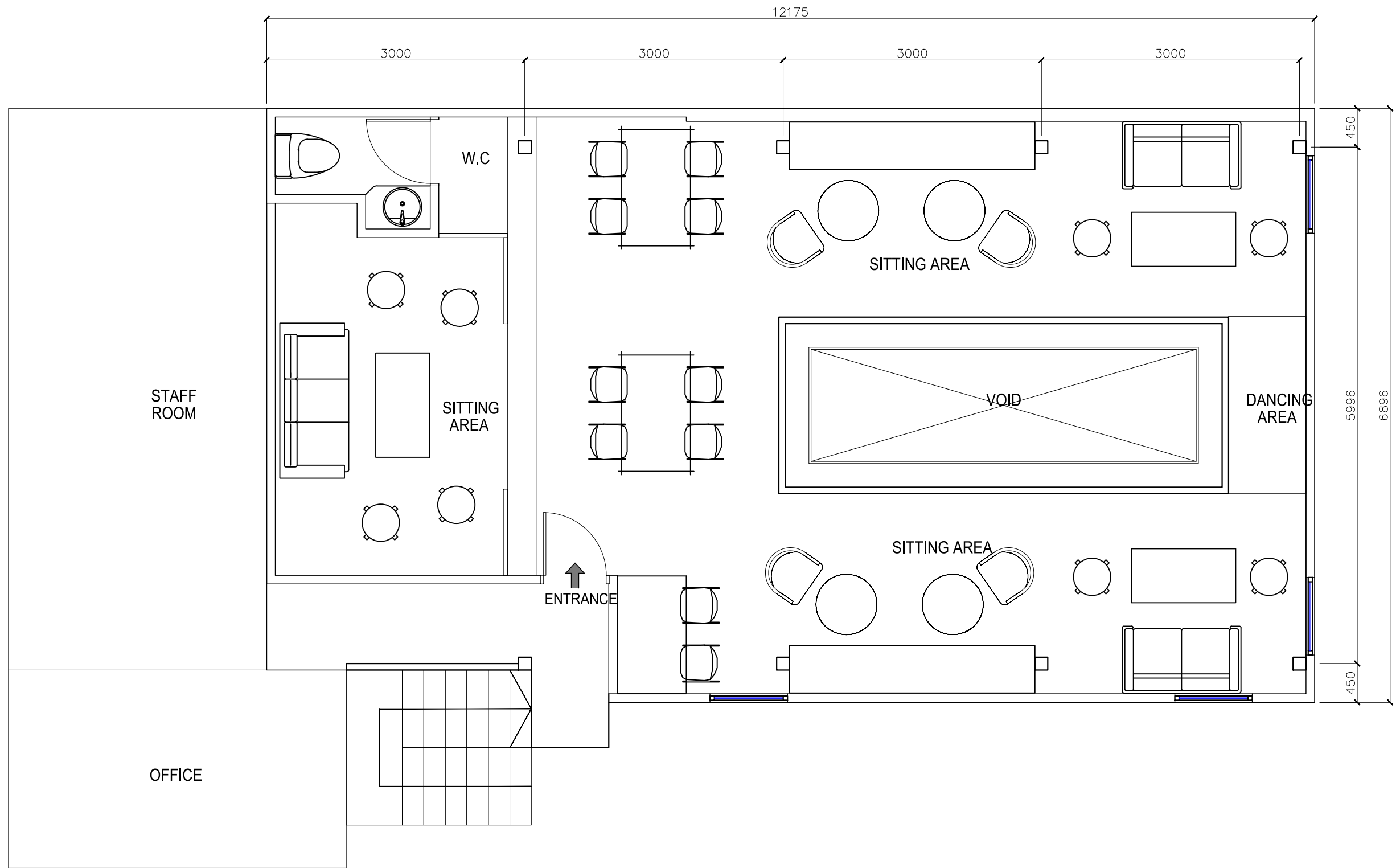


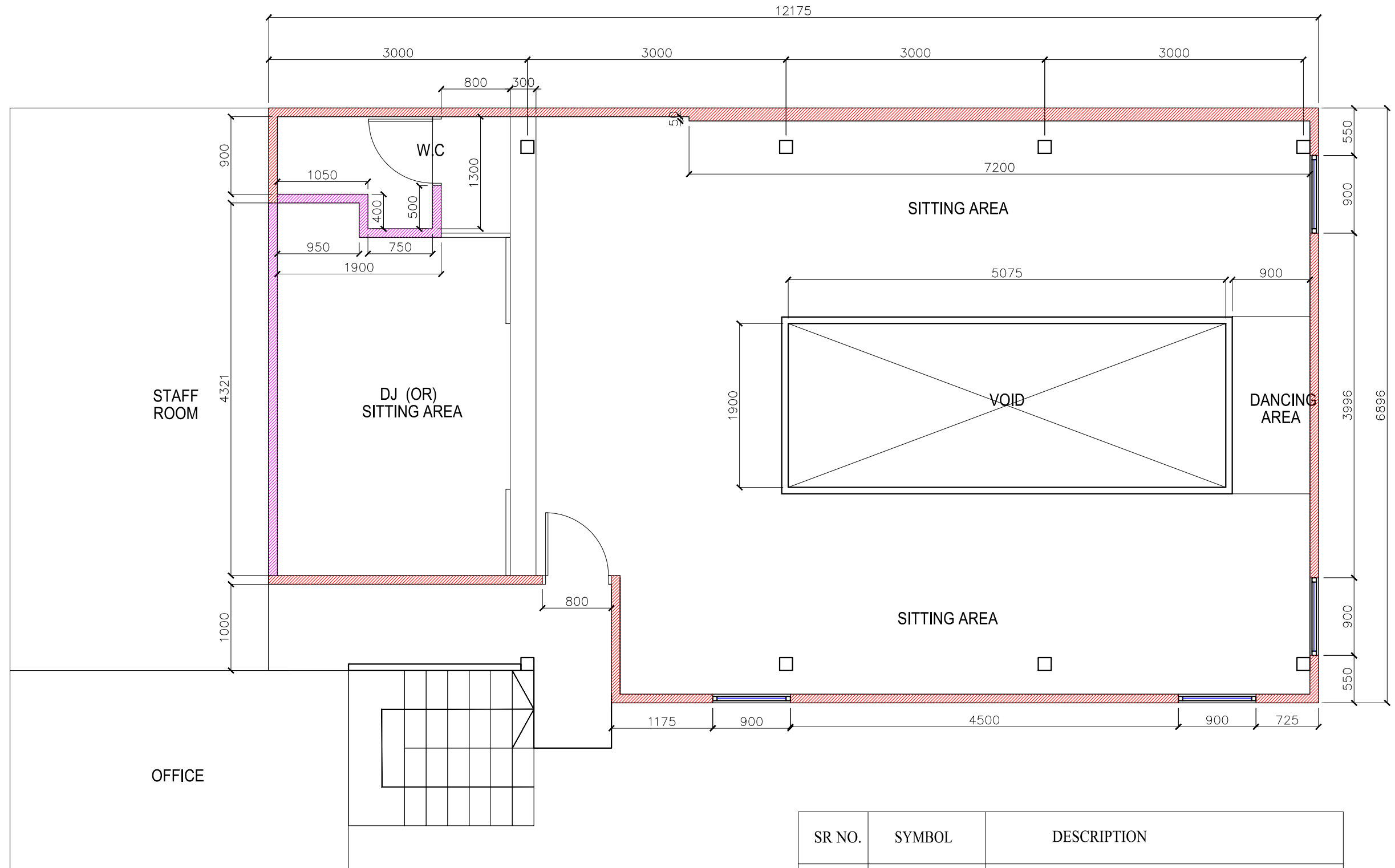
CLIENT	PROJECT NAME	DRAWING TITLE	SCALE (A3 FORMAT)	ALL COPYRIGHT RESERVED	DATE: 24 FEB 2023
	G-SIX Bar and Restaurant	EXISTING LAYOUT PLAN	1 : 50		DRAWN BY: May
CLIENT'S SIGNATURE	REVISIONS: ---				JOB NO: --
					DRAWING NO: 001


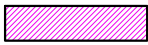


CLIENT	PROJECT NAME	DRAWING TITLE	SCALE (A3 FORMAT)	ALL COPYRIGHT RESERVED	DATE: 24 FEB 2023
	G-SIX Bar and Restaurant	FURNITURE LAYOUT PLAN WITH DJ AREA	1 : 50		DRAWN BY: May
CLIENT'S SIGNATURE	REVISIONS: ---				JOB NO: --
					DRAWING NO: 002

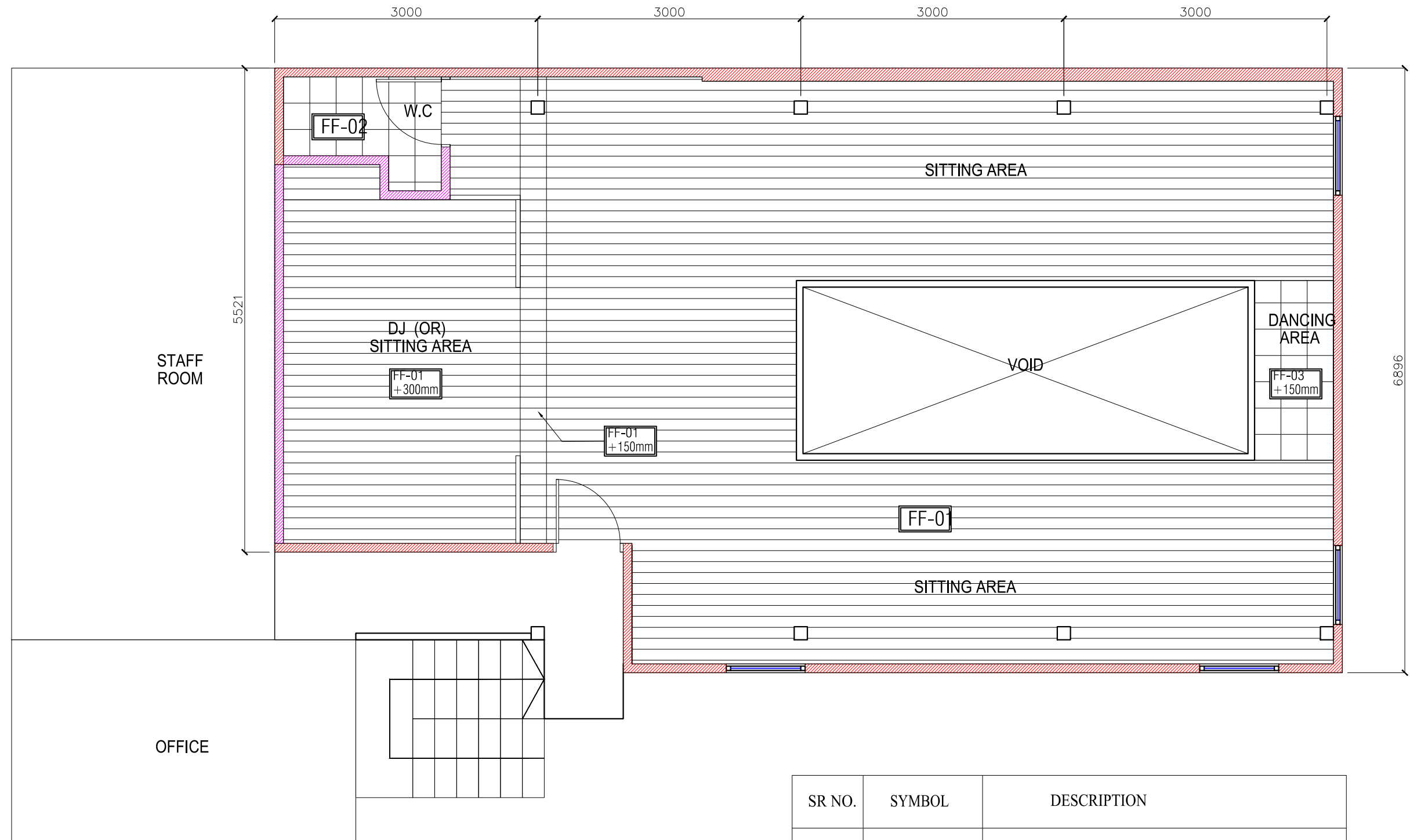


CLIENT	PROJECT NAME	DRAWING TITLE	SCALE (A3 FORMAT)	ALL COPYRIGHT RESERVED	DATE: 24 FEB 2023
	G-SIX Bar and Restaurant	FURNITURE LAYOUT PLAN WITHOUT DJ AREA	1 : 50		DRAWN BY: May
CLIENT'S SIGNATURE	REVISIONS: ---				JOB NO: --
					DRAWING NO: 003



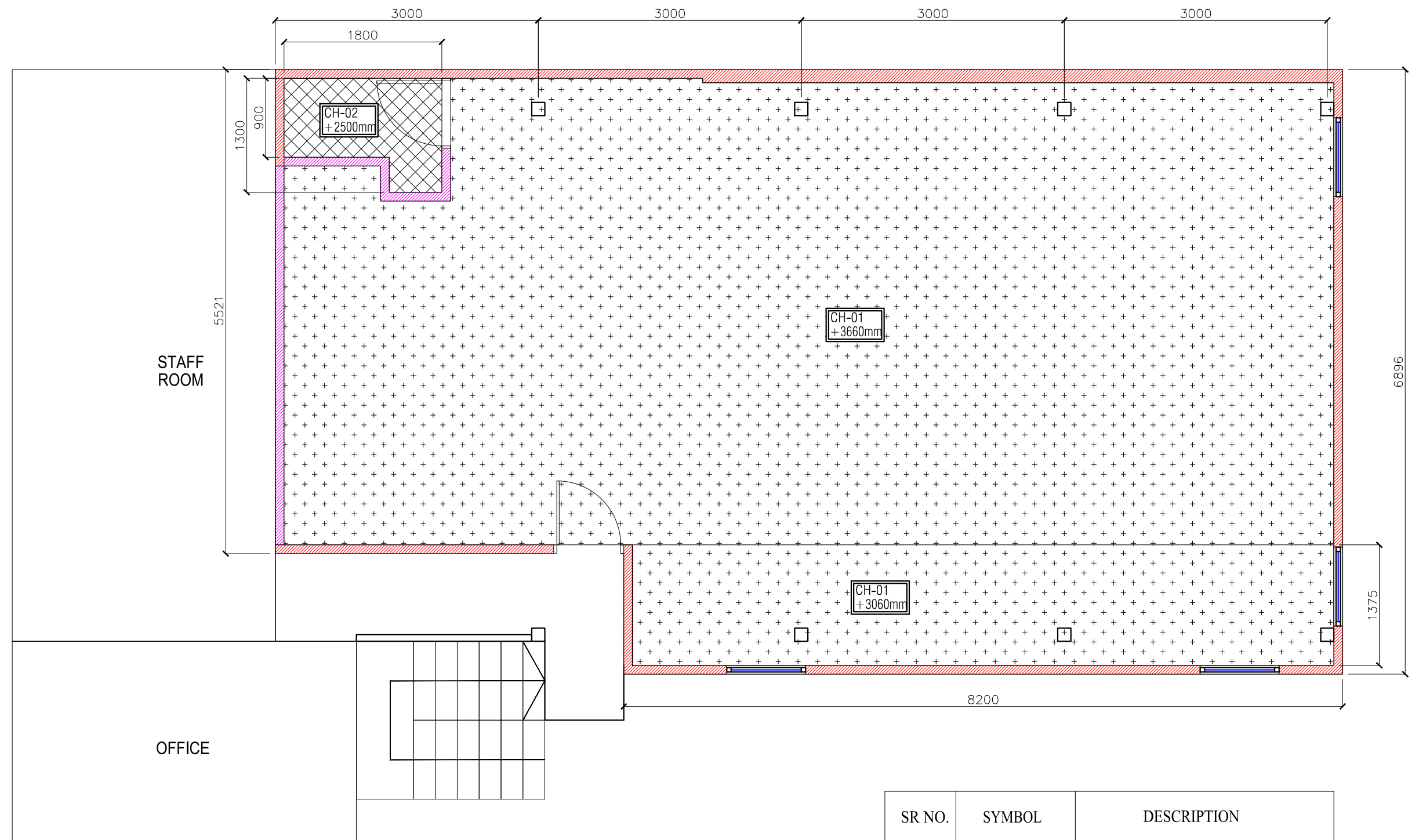
SR NO.	SYMBOL	DESCRIPTION
1.		NEW EXTERIOR WALL WITH PAINT FINISHED @ 3660mmHT:
2.		NEW INTERIOR WALL WITH PAINT FINISHED @ 3660mmHT:
ALL WALLS WITH SOUND PROOF.		

CLIENT	PROJECT NAME	DRAWING TITLE	SCALE (A3 FORMAT)	ALL COPYRIGHT RESERVED	DATE: 24 FEB 2023
	G-SIX Bar and Restaurant	WALL SETTING OUT PLAN	1 : 50		DRAWN BY: May
CLIENT'S SIGNATURE	REVISIONS: ---				JOB NO: --
					DRAWING NO: 004



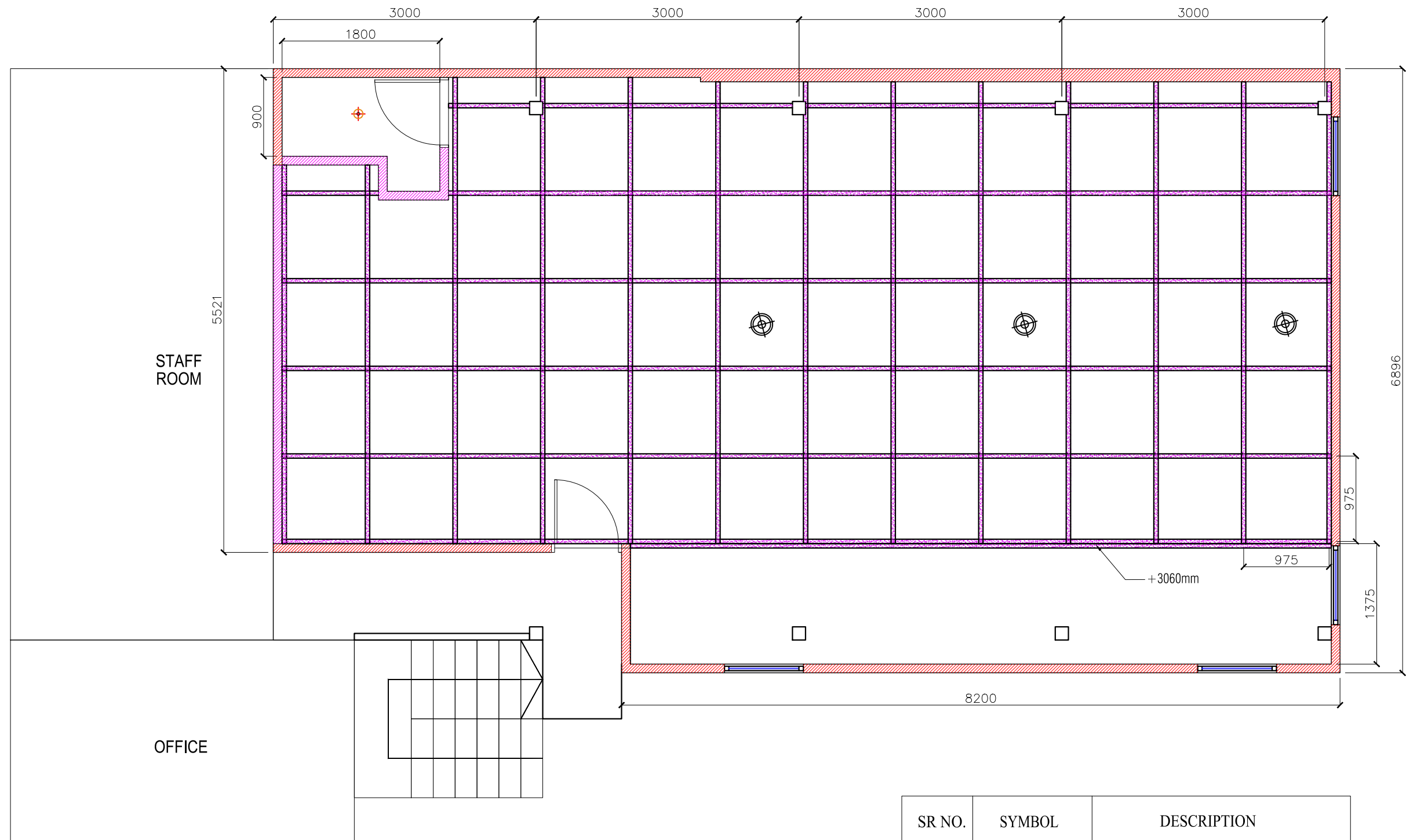
SR NO.	SYMBOL	DESCRIPTION
1.	FF-01	VINYL FLOOR FINISHED (OR) CONCRETE POLISHED FLOOR WITH COLOR
2.	FF-02	1' × 1' TILE FLOOR (OR) CONCRETE POLISHED WITH COLOR
3.	FF-03	1' × 1' LED GLASS FLOOR

CLIENT	PROJECT NAME	DRAWING TITLE	SCALE (A3 FORMAT)	ALL COPYRIGHT RESERVED	DATE: 24 FEB 2023
	G-SIX Bar and Restaurant	FLOOR FINISHING PLAN	1 : 50		DRAWN BY: May
CLIENT'S SIGNATURE		REVISIONS: ---			JOB NO: --
					DRAWING NO: 005



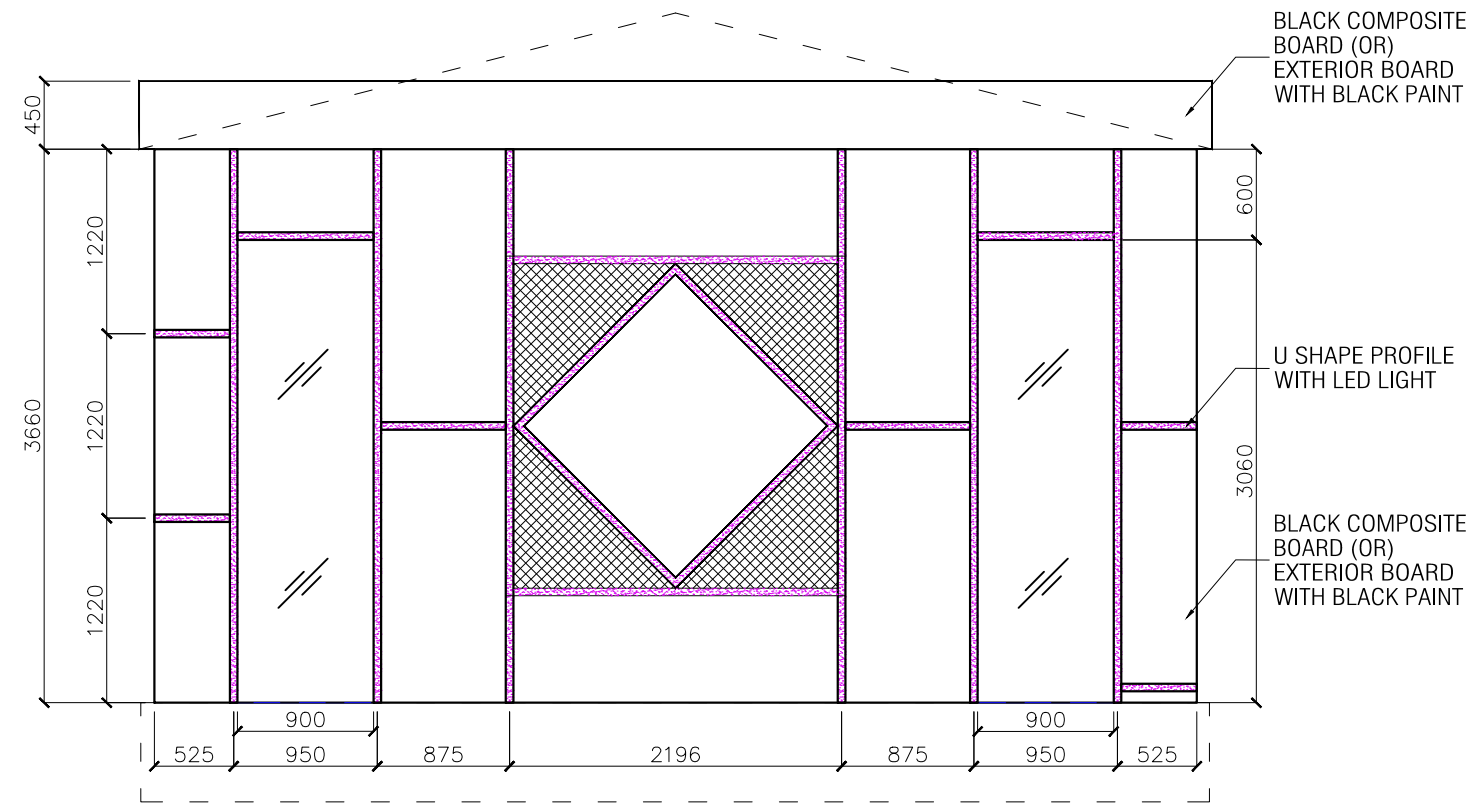
SR NO.	SYMBOL	DESCRIPTION
1.	CH-01	BOARD CEILING WITH SOUND PROOF
2.	CH-02	BOARD CEILING WITH SOUND PROOF (OR) BOARD CEILING WITHOUT SOUND PROOF

CLIENT	PROJECT NAME	DRAWING TITLE	SCALE (A3 FORMAT)	ALL COPYRIGHT RESERVED	DATE: 24 FEB 2023
	G-SIX Bar and Restaurant	REFLECTED CEILING PLAN	1 : 50		DRAWN BY: May
CLIENT'S SIGNATURE		REVISIONS: ---			JOB NO: --
					DRAWING NO: 006

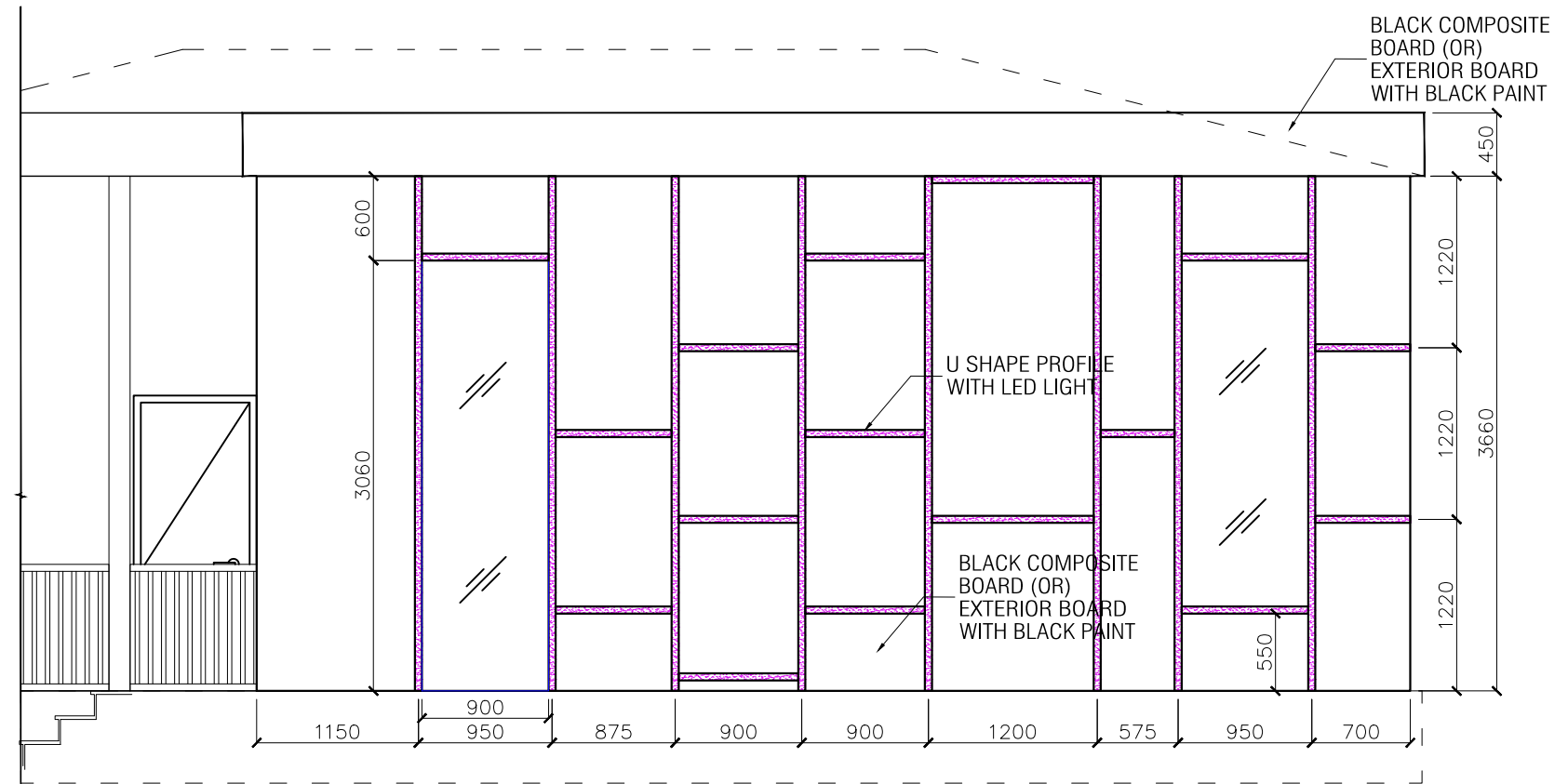


SR NO.	SYMBOL	DESCRIPTION
1.		DOWN LIGHT
2.		DISCO BALL
3.		LED LIGHT

CLIENT	PROJECT NAME	DRAWING TITLE	SCALE (A3 FORMAT)	ALL COPYRIGHT RESERVED	DATE: 24 FEB 2023
	G-SIX Bar and Restaurant	CEILING LIGHTING PLAN	1 : 50		DRAWN BY: May
CLIENT'S SIGNATURE	REVISIONS: ---				JOB NO: --
					DRAWING NO: 007

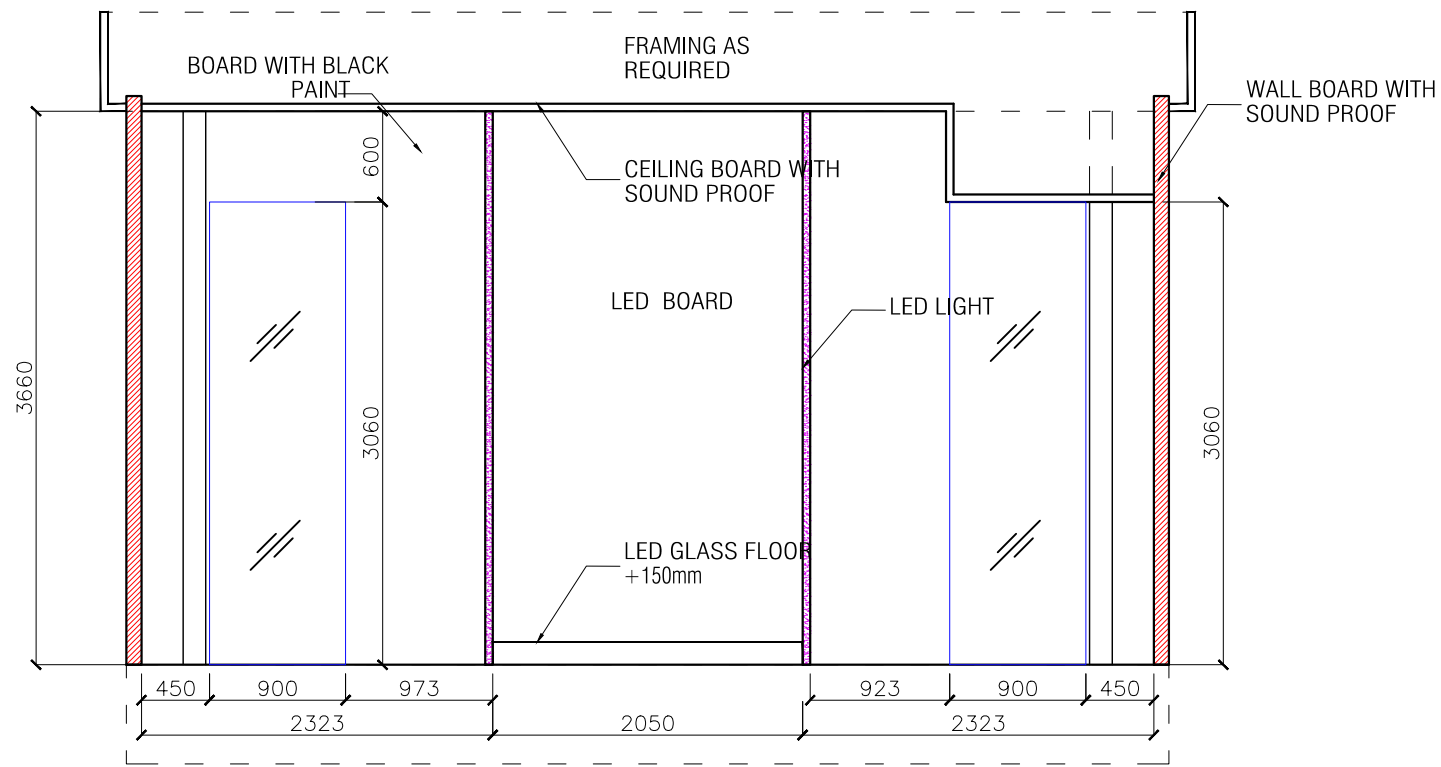


1 ELEVATION-1
SCALE 1:50

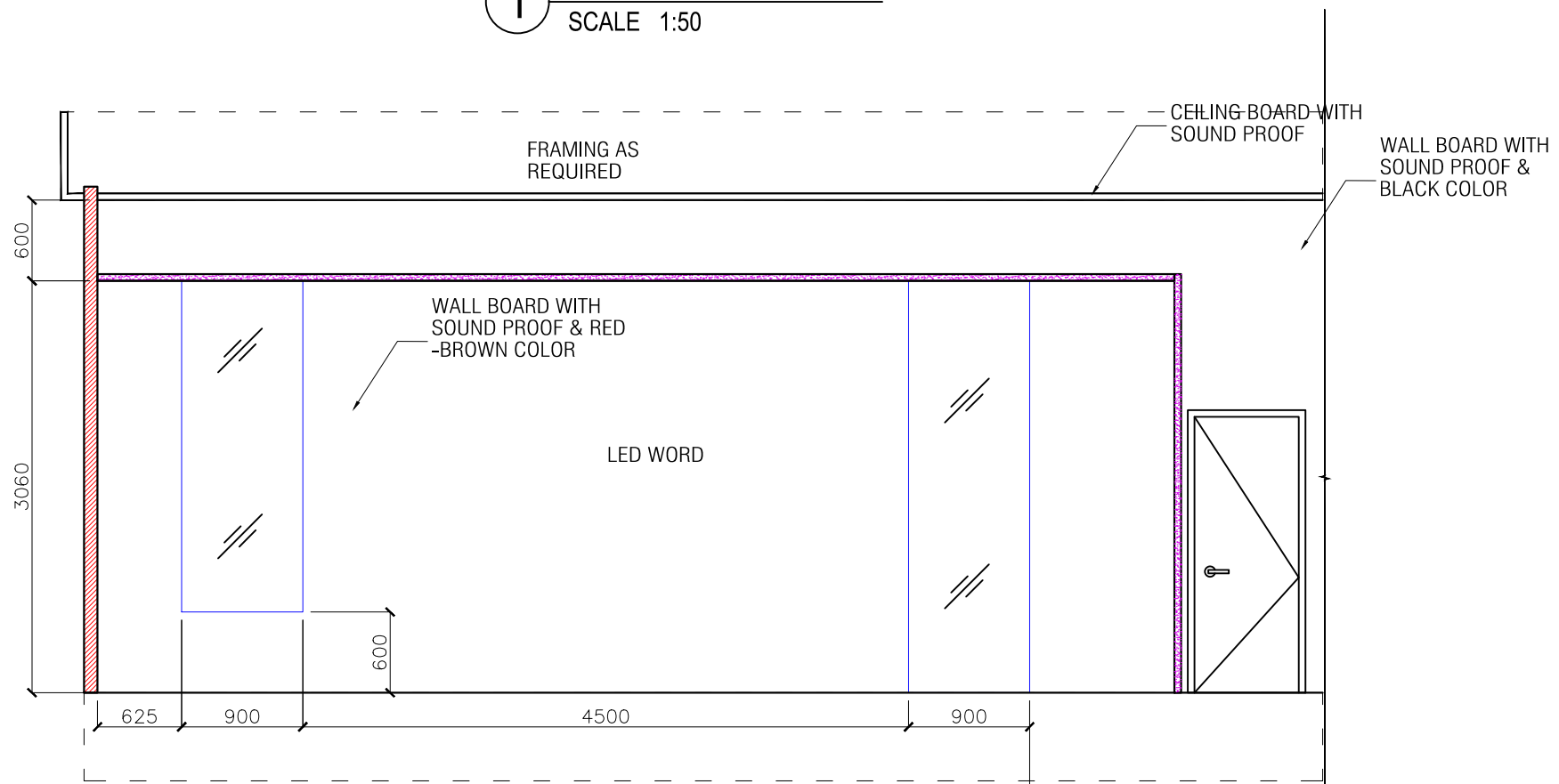


2 ELEVATION-2
SCALE 1:50

CLIENT	PROJECT NAME	DRAWING TITLE	SCALE (A3 FORMAT)	ALL COPYRIGHT RESERVED	DATE: 24 FEB 2023
	G-SIX Bar and Restaurant	EXTERIOR ELEVATION	1 : 50		DRAWN BY: May
CLIENT'S SIGNATURE		REVISIONS: ---			JOB NO: --
					DRAWING NO: 008

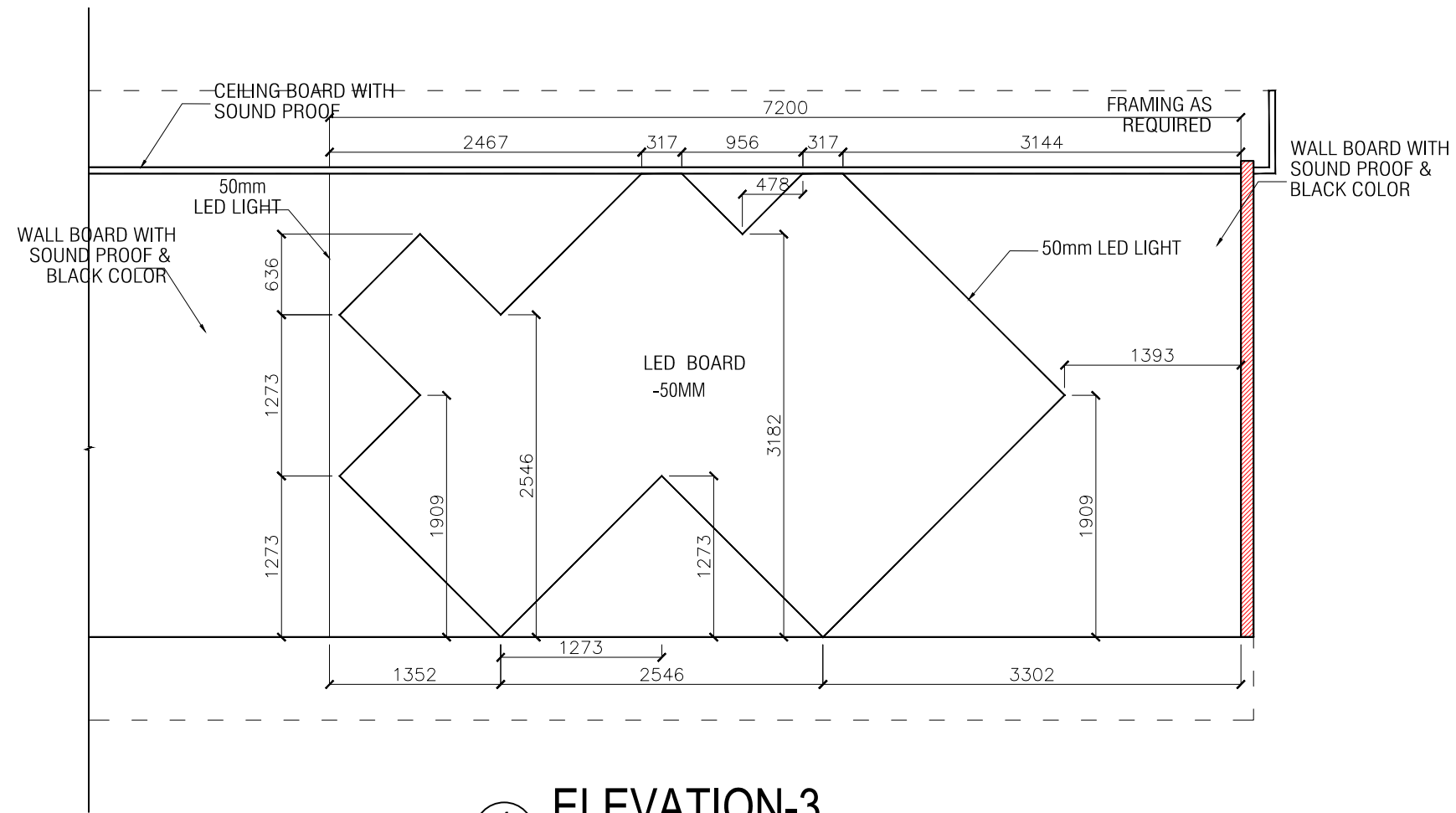


1 ELEVATION-1
SCALE 1:50

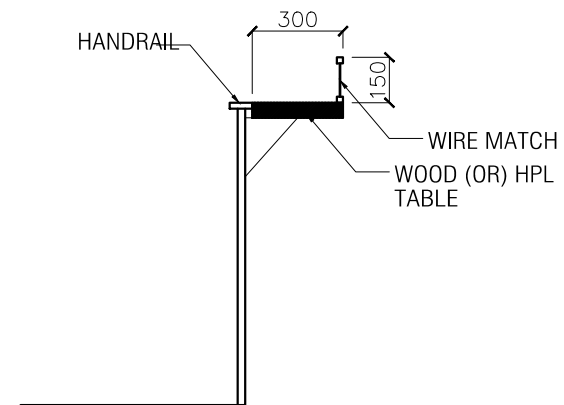
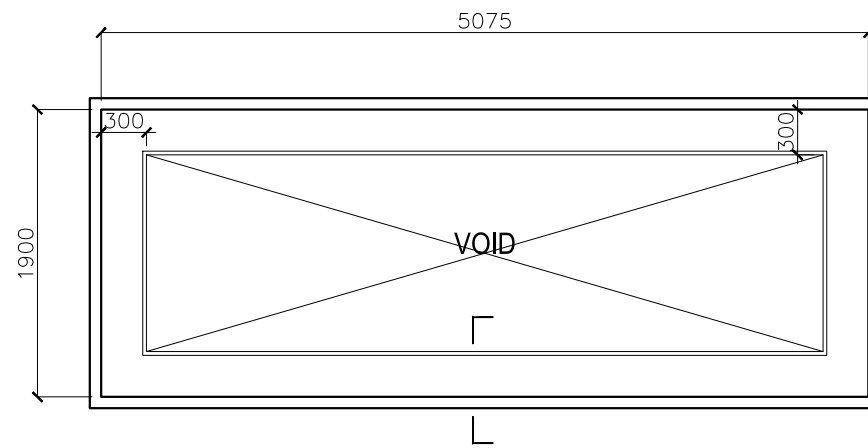


2 ELEVATION-2
SCALE 1:50

CLIENT	PROJECT NAME	DRAWING TITLE	SCALE (A3 FORMAT)	ALL COPYRIGHT RESERVED	DATE: 24 FEB 2023
	G-SIX Bar and Restaurant	INTERIOR ELEVATION	1 : 50		DRAWN BY: May
CLIENT'S SIGNATURE		REVISIONS: ---			JOB NO: --
					DRAWING NO: 009

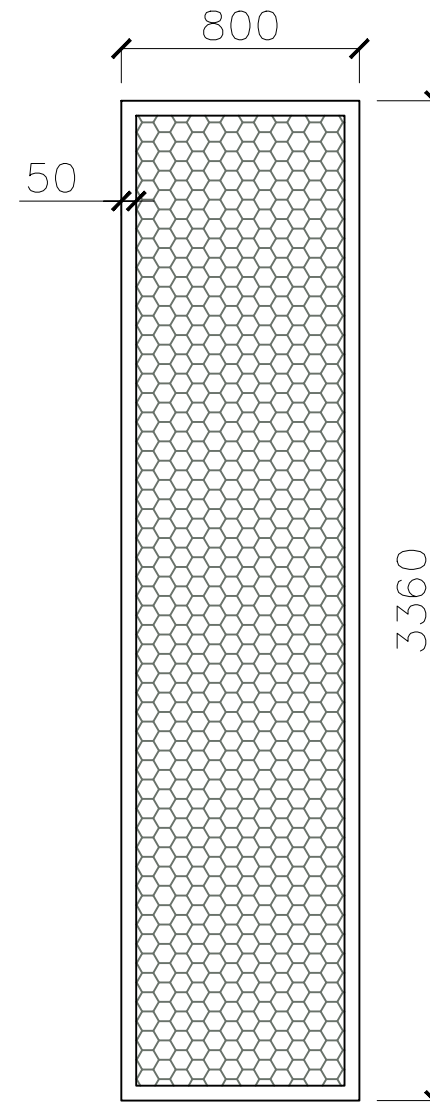
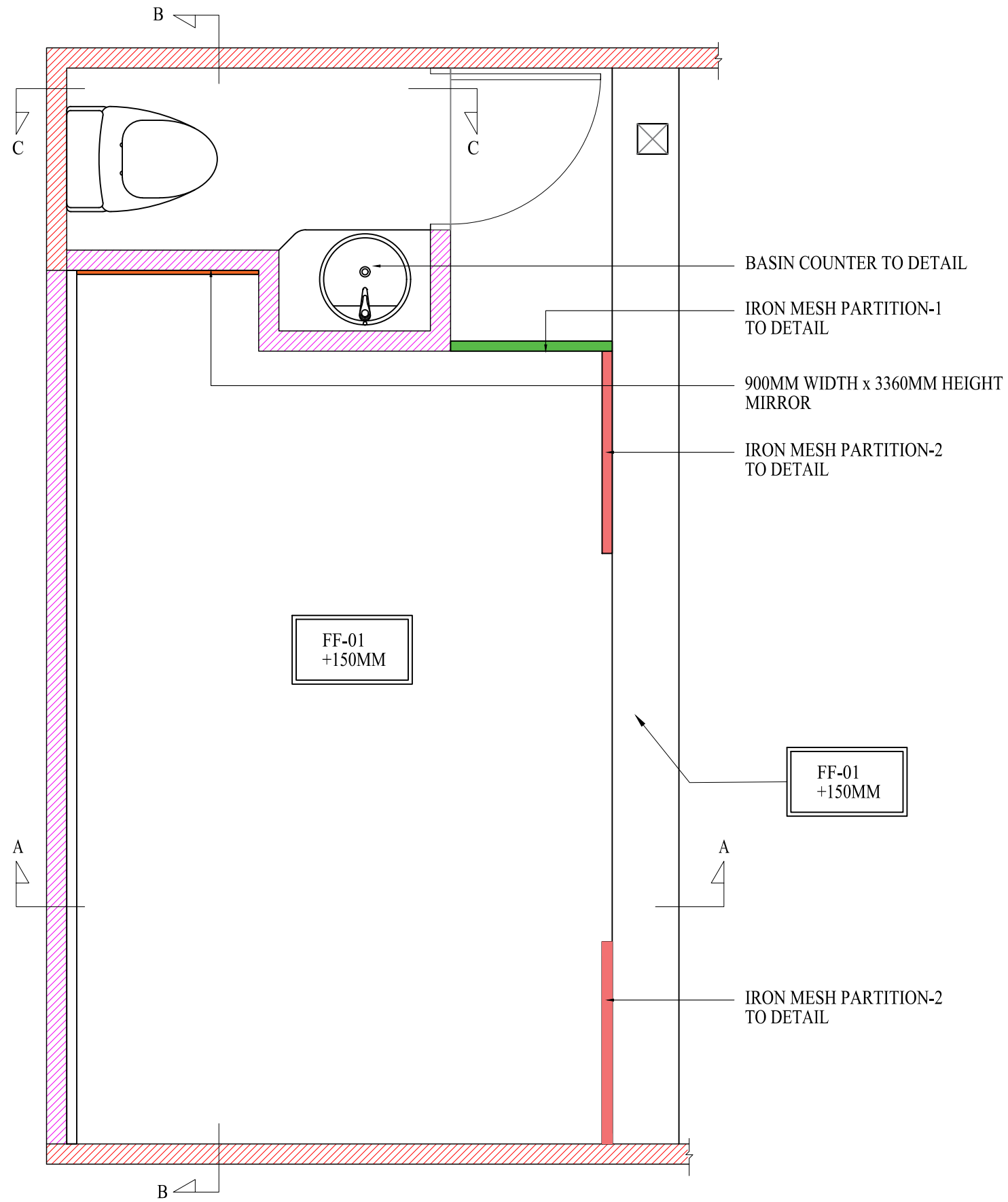


1 ELEVATION-3
SCALE 1:50

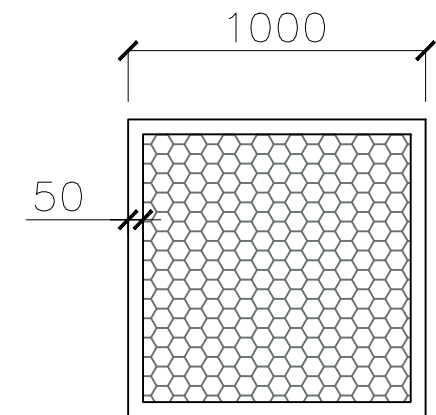


2 VOID TABLE
SCALE 1:50

CLIENT	PROJECT NAME	DRAWING TITLE	SCALE (A3 FORMAT)	ALL COPYRIGHT RESERVED	DATE: 24 FEB 2023
	G-SIX Bar and Restaurant	INTERIOR ELEVATION	1 : 50		DRAWN BY: May
CLIENT'S SIGNATURE		REVISIONS: ---			JOB NO: --
					DRAWING NO: 010

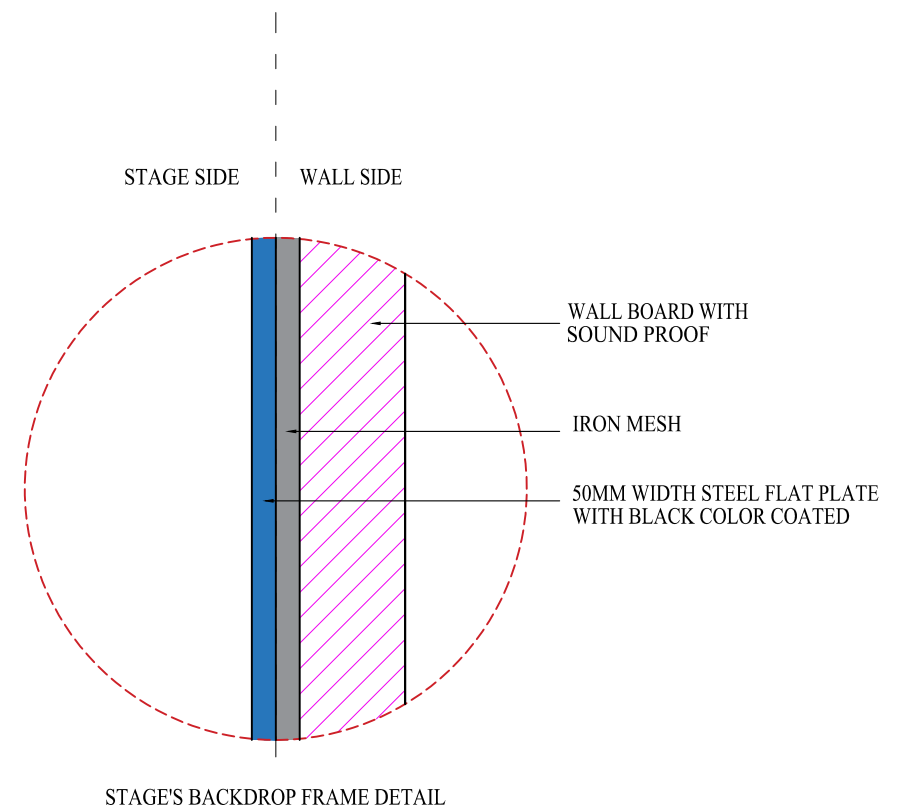
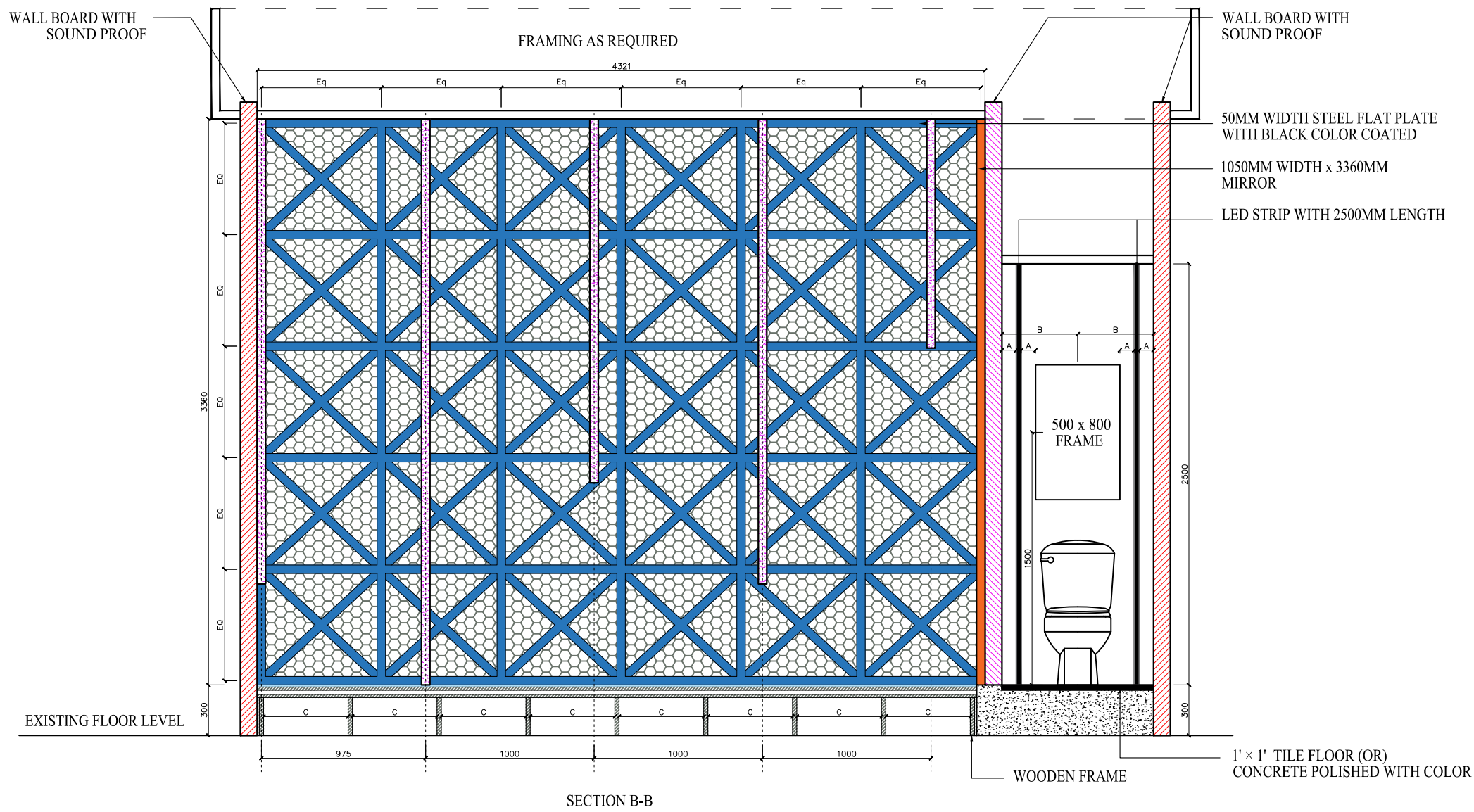
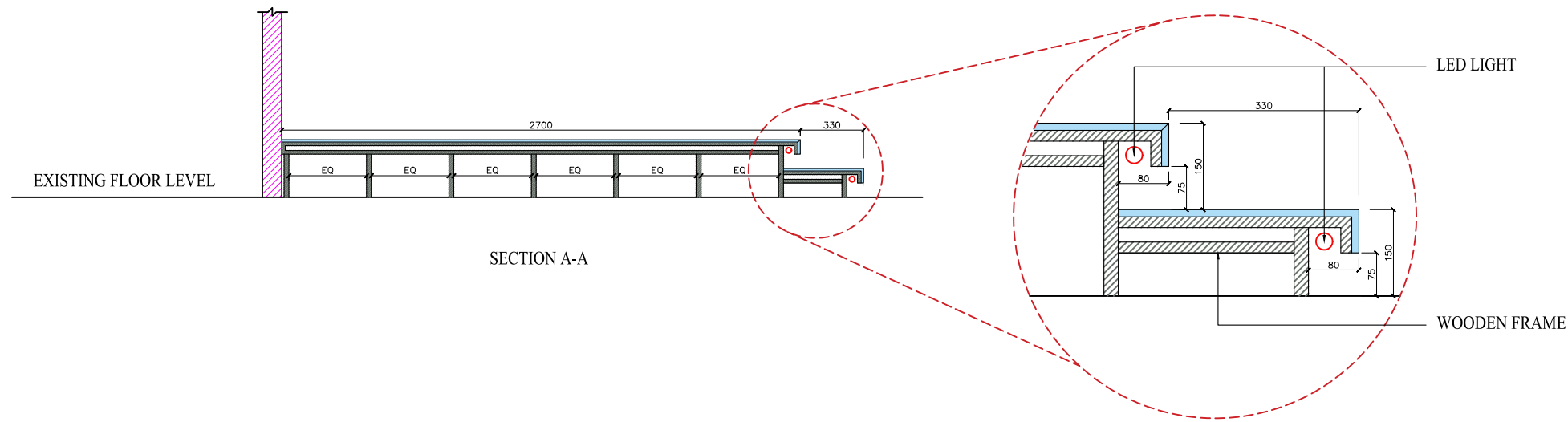


IRON MESH PARTITION-1 DETAIL
QUANTITY (1 NOS)

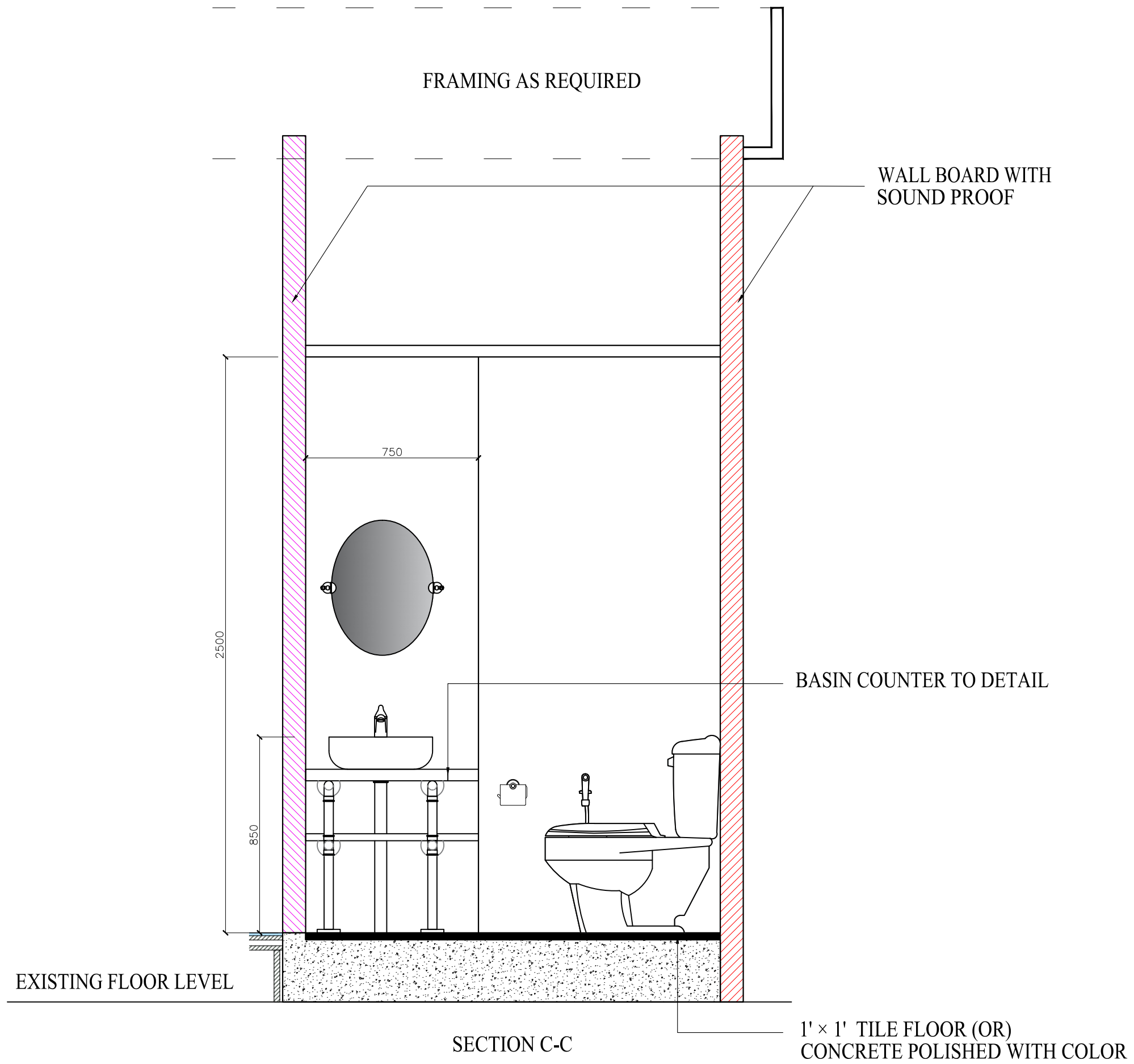


IRON MESH PARTITION-2 DETAIL
QUANTITY (2 NOS)

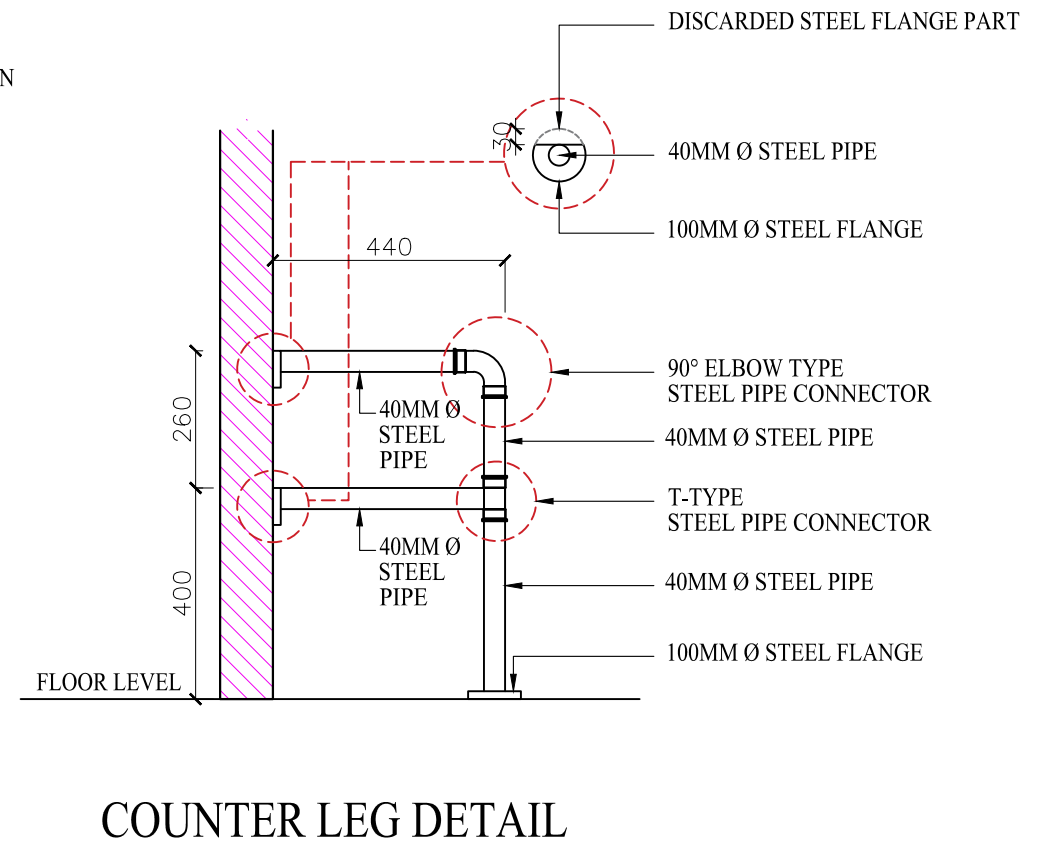
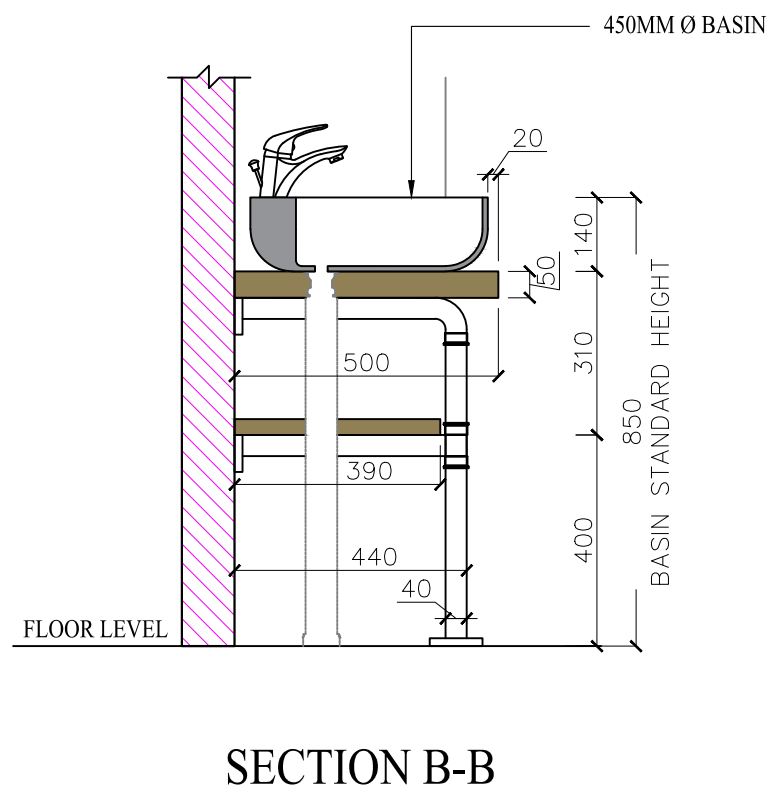
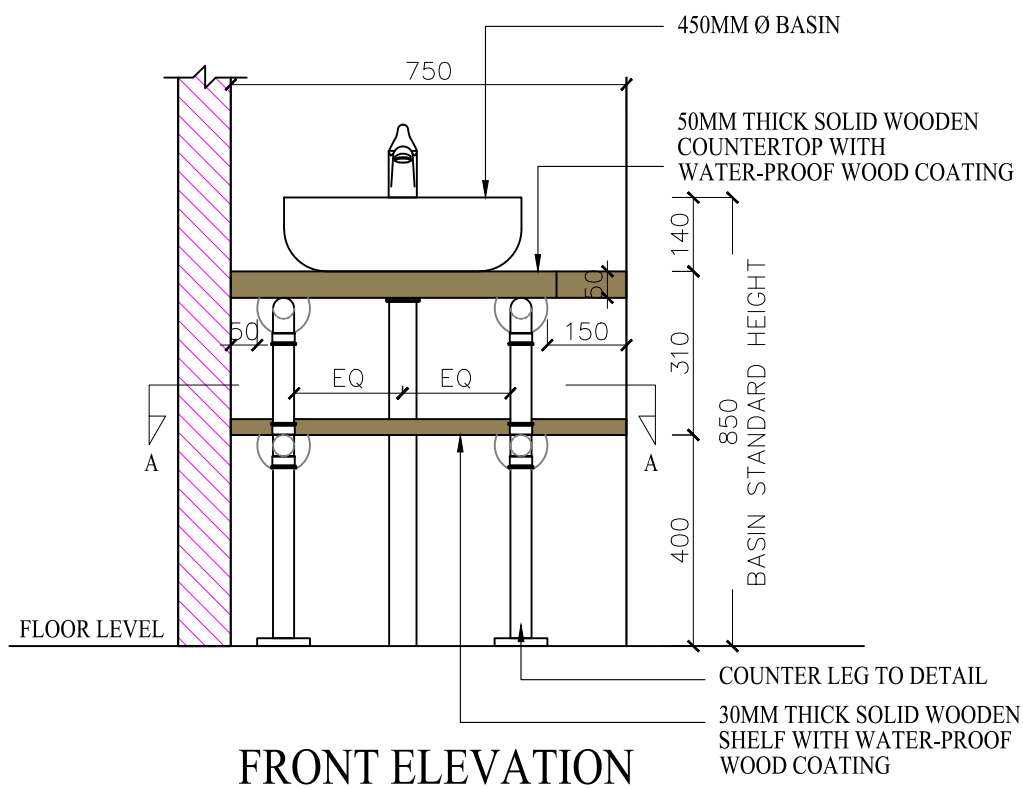
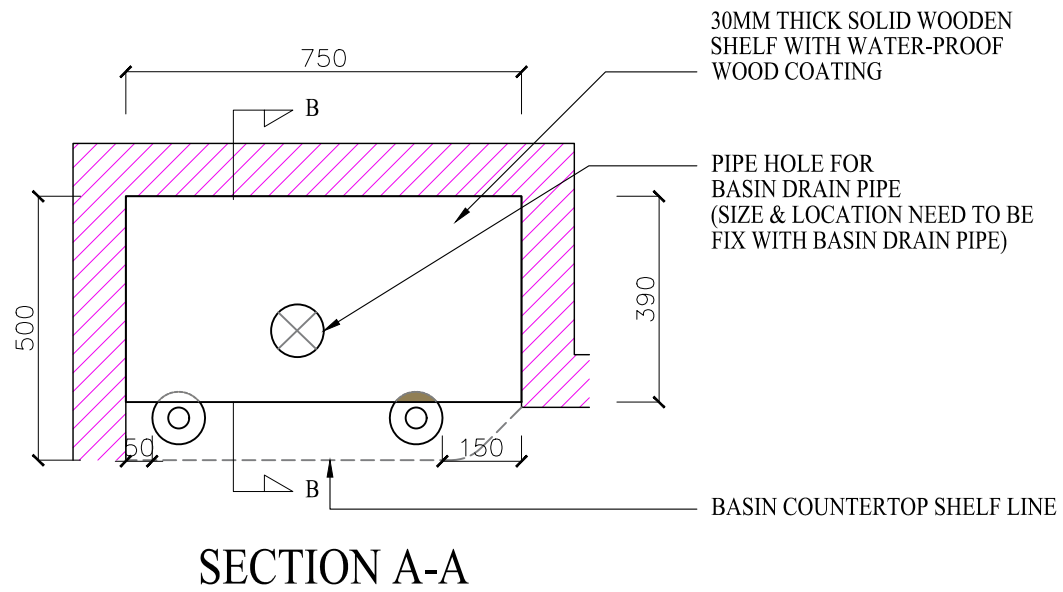
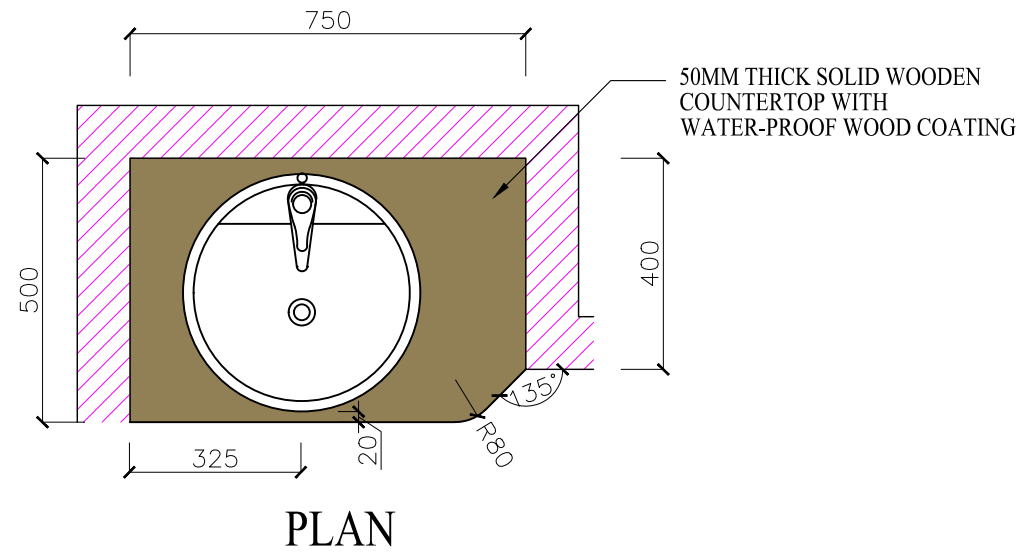
CLIENT	PROJECT NAME	DRAWING TITLE	SCALE (A3 FORMAT)	ALL COPYRIGHT RESERVED	DATE: 24 FEB 2023
	G-SIX Bar and Restaurant	STAGE AND WC DETAIL-1	1 : 50		DRAWN BY: May
CLIENT'S SIGNATURE		REVISIONS: ---			JOB NO: --
					DRAWING NO: 011



CLIENT'S SIGNATURE	CLIENT	PROJECT NAME	DRAWING TITLE	SCALE (A3 FORMAT)	ALL COPYRIGHT RESERVED	DATE:	24 FEB 2023
	G-SIX Bar and Restaurant	STAGE AND WC DETAIL-2	1 : 50	DRAWN BY:		May	
		REVISIONS: ---				JOB NO:	--
						DRAWING NO:	012



CLIENT	PROJECT NAME	DRAWING TITLE	SCALE (A3 FORMAT)	ALL COPYRIGHT RESERVED	DATE: 24 FEB 2023
	G-SIX Bar and Restaurant	STAGE AND WC DETAIL-3	1 : 50		DRAWN BY: May
CLIENT'S SIGNATURE	REVISIONS: ---				JOB NO: --
					DRAWING NO: 013



CLIENT	PROJECT NAME	DRAWING TITLE	SCALE (A3 FORMAT)	ALL COPYRIGHT RESERVED	DATE: 24 FEB 2023
CLIENT'S SIGNATURE	G-SIX Bar and Restaurant	BASIN COUNTER DETAIL	1 : 50		DRAWN BY: May
	REVISIONS: ---				JOB NO: --
					DRAWING NO: 014